



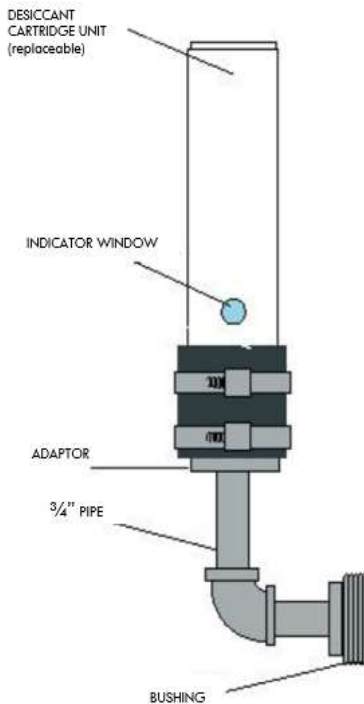
50 Cambridge Drive, Monroe CT 06468 USA
+1 203.590.2000 | +1 800.332.AXEL
www.axelplastics.com

Technical Guide

Focus On: Proper Installation & Use of Desiccant Driers

Desiccant Driers & Semi-Permanent Mold Releases

Most solvent-based semi-permanent mold releases cure by exposure to atmosphere. For this reason, it is important to minimize exposure to atmosphere during dispensing and storage. The use of desiccant driers can help preserve moisture sensitive materials in peak conditions for longer periods of time.



How They Work

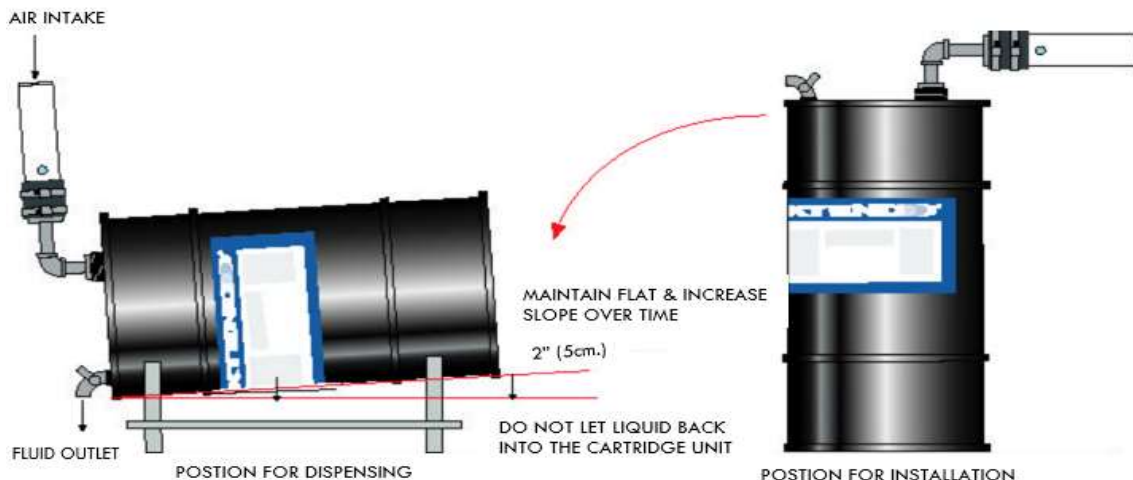
Normally, when liquid is dispensed from a container, it is drawn into the container at the same time that the liquid flows out. This exposes the remaining liquid in the container to atmospheric conditions and subjects the moisture sensitive material to degradation. When a desiccant drier is in place in the bung hole of the drum, and a cock valve is used in the small bung hole, the air that is drawn into the drum when dispensing from the cock valve is air that is drawn through the desiccant cartridge. In this case, the air that enters the drum is dry air because the moisture has been absorbed by the desiccant cartridge.

Installation

1. Wrap Teflon[®] tape around the 2" threaded adaptor. With the drum in the upright position, screw the adaptor into the 2" bung hole in the drum.
2. Puncture both ends of the desiccant cartridges. Make sure that the holes are large enough to allow the product to flow freely when the cock valve/spigot is opened.
3. Insert the cartridge in the rubber hose section and tighten the hose clamps.
4. Wrap the cock valve/spigot with Teflon[®] tape to assure a good seal. Screw the cock valve/spigot into the small bung hole on the drum.
5. Carefully move the drum into place on the drum rack. Be cautious to keep the desiccant cartridge pointing up at all times and do not allow liquid from the drum to flow into the cartridge.
6. Assume that when positioned on the rack, that the cartridge is pointing up. Over time as the liquid level in the drum is reduced, it will be necessary to lower the head of the drum slightly just to make certain that the liquid is not backing up into the cartridge unit.

USE: Replace the desiccant cartridge when the indicator window turns pink.

Note: In storage cartridge life can be extended by capping the holes that were punched in the top of the desiccant cartridge with a plastic cap or sealing with aluminum foil. Remove this cap before dispensing the product from the drum.



All information given by us about our products is based upon our tests and experience. It is intended for use by persons having technical skill at their own discretion and risk, and we assume no liability in connection with their use. XTEND, MoldWiz, PasteWiz & CleanWiz are registered trademarks of Axel Plastics Research Laboratories. Teflon® is a registered trademark of Dupont. All rights reserved. 27 Mar 2024